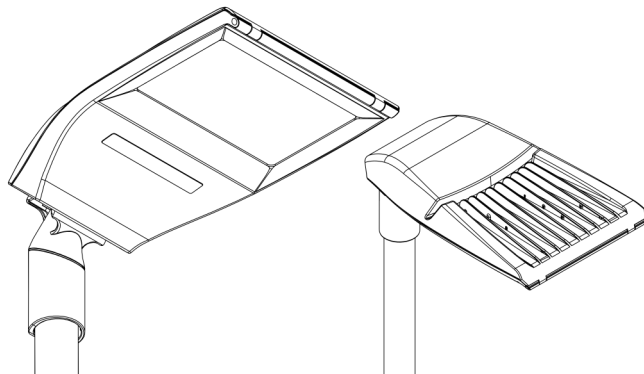


MISTRAL

Installation Instructions

MISTRAL MIDI



V0

220-240V 50/60Hz

 /

 Ta +50°C / -40°C

LED **DIM**

Complies with the WEEE regulations.

i

Dimensions: 266, 550, 517, 344, 142, 673, 344.

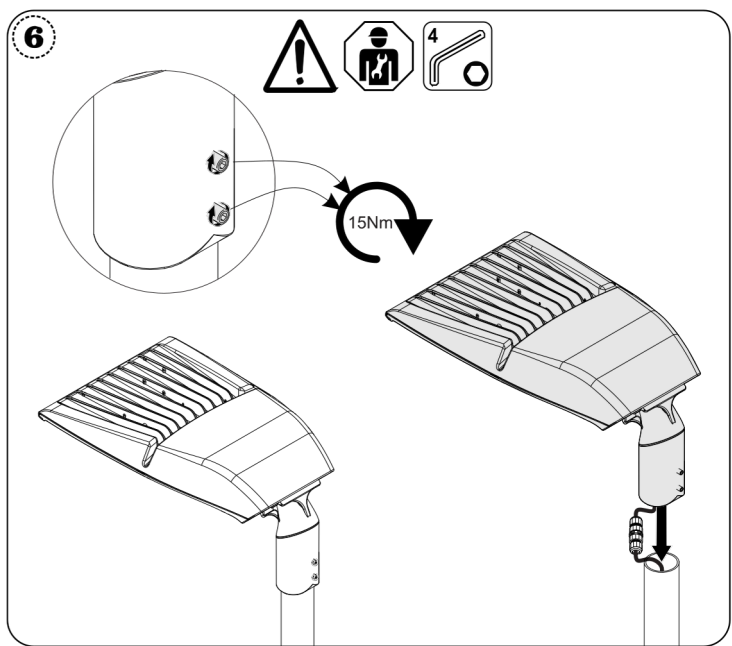
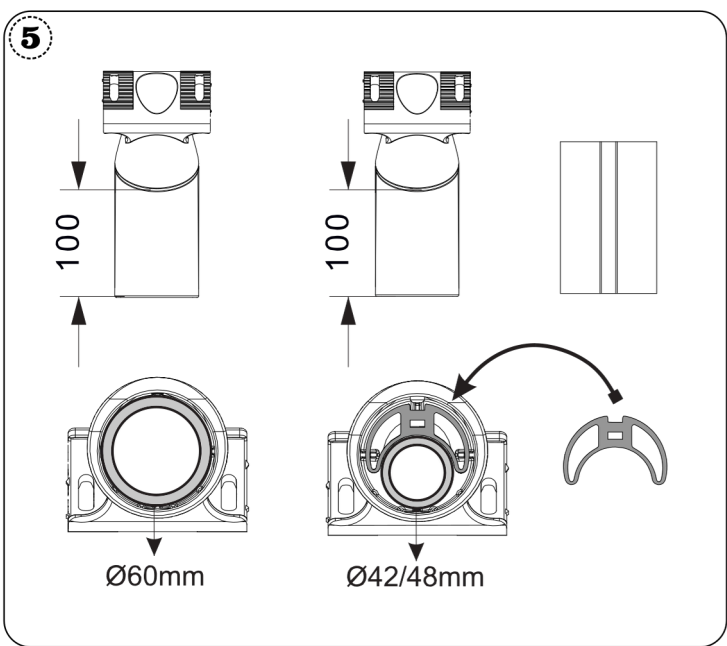
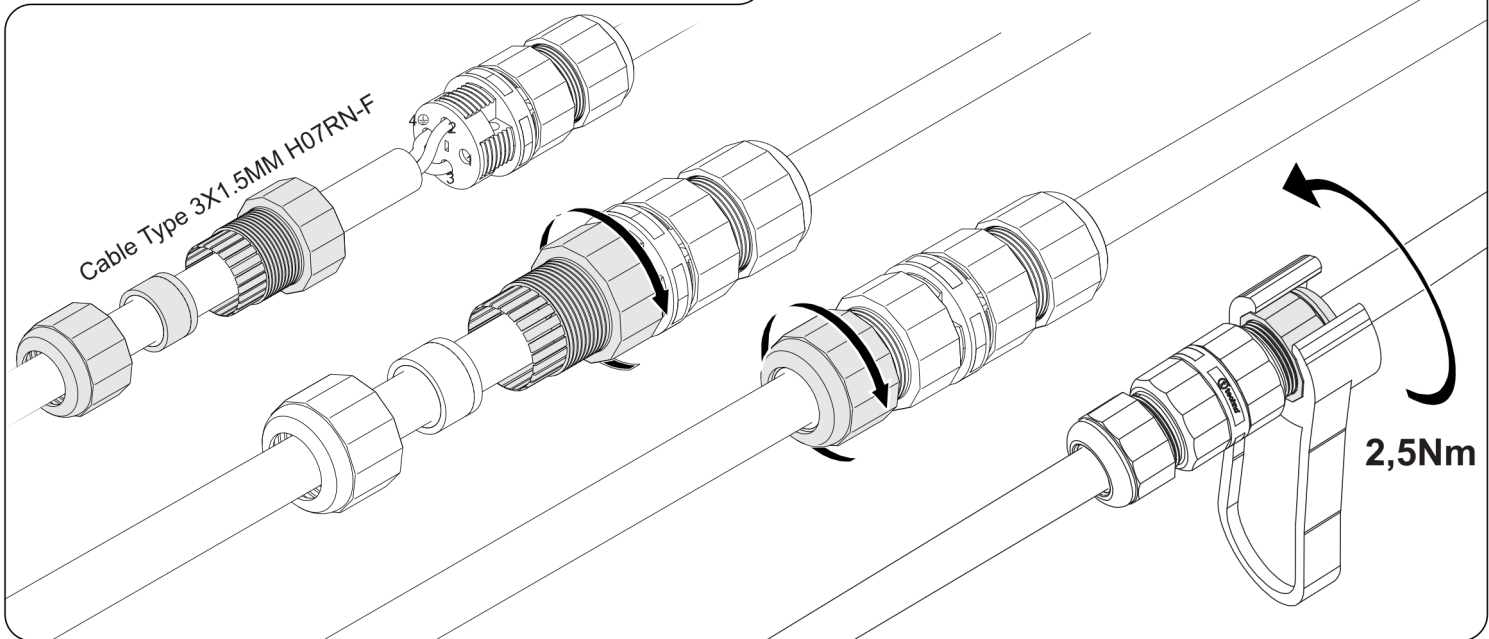
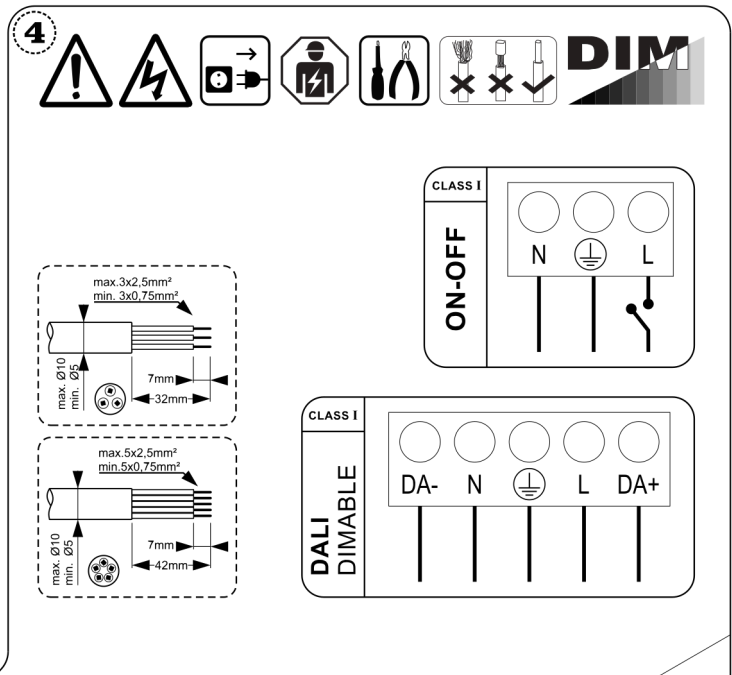
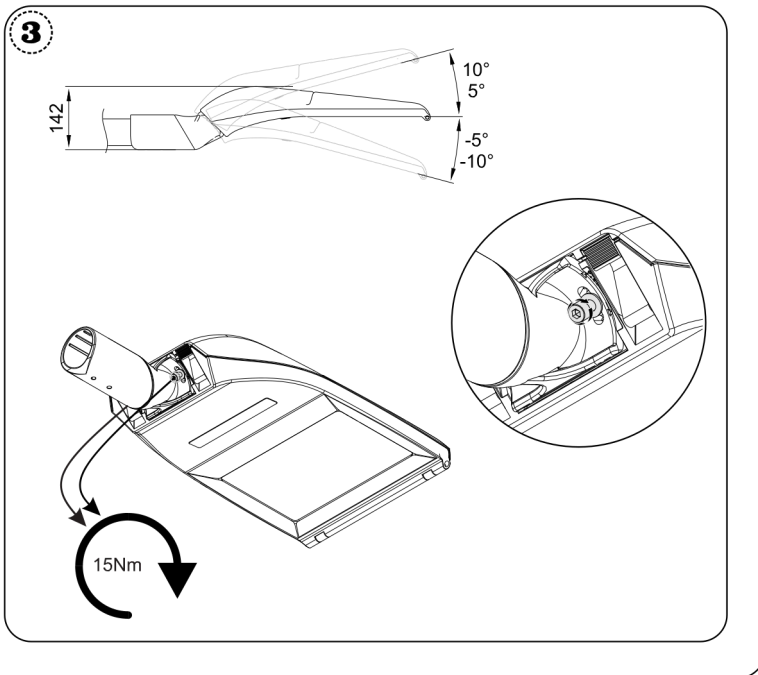
Wind direction: 0,06m², 0,18m².

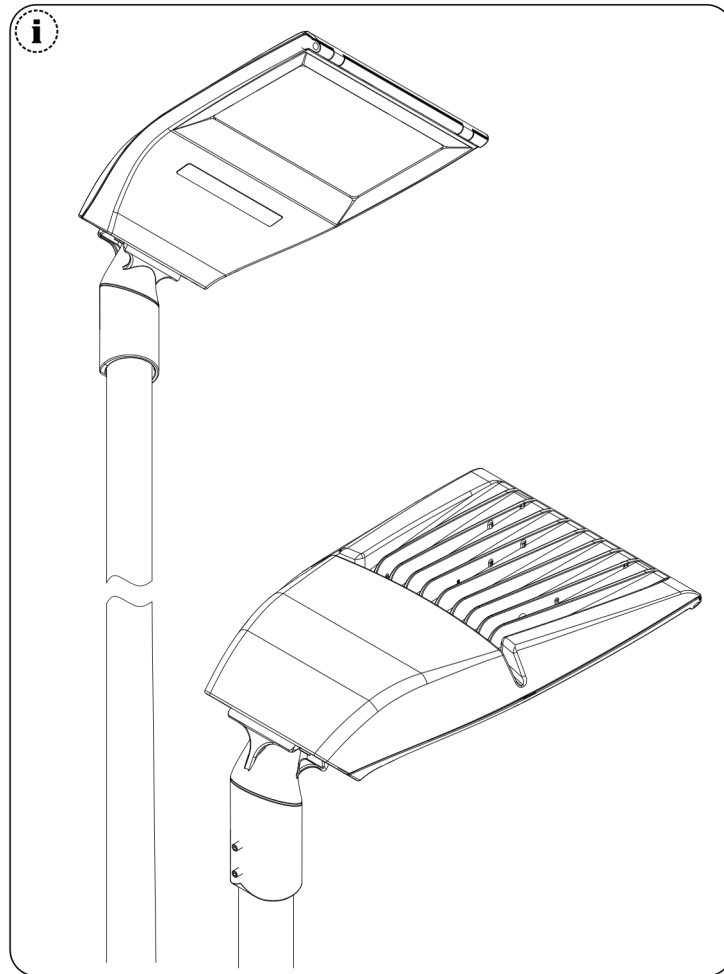
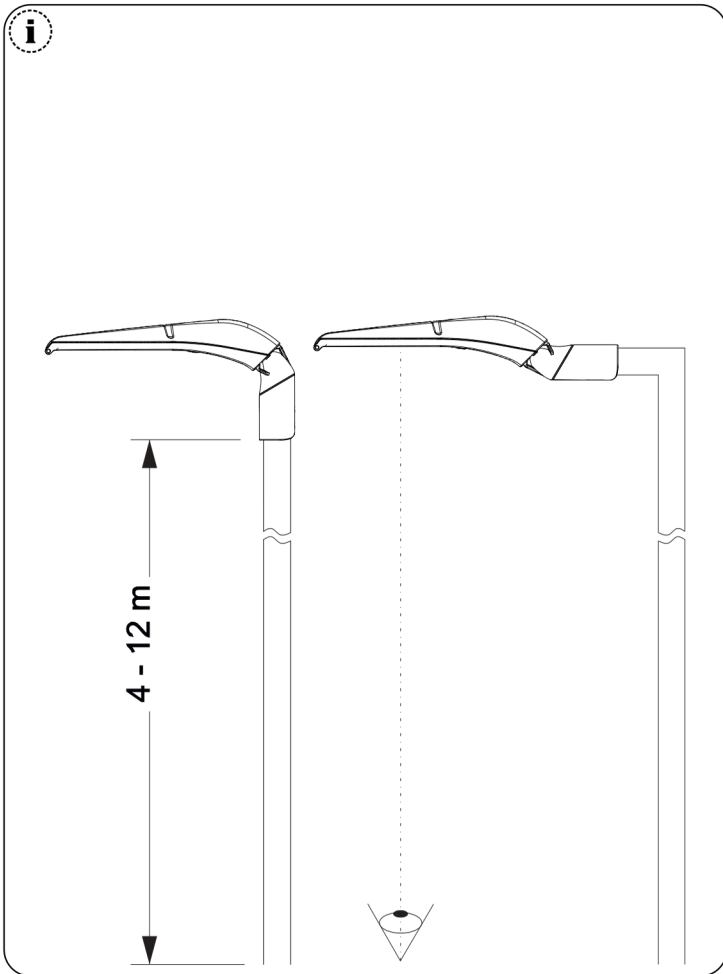
kg = 8,9

1

2

15Nm





ATTENTION

- *The type of supply cord to be used with this lighting fixture; "H05RR-F / H03VVH2-F / H03VV-F" and external insulation nominal diameter area should be at least 5mm and at most 12mm.*
- *In case the external twisted cable or cord of this lighting fixture is damaged; To avoid a hazard, it must only be replaced by the manufacturer or its authorized service or equally qualified personnel.*
- *The light source of this luminaire is not replaceable; when the light source reaches its end of life whole luminaire shall be replaced.*
- *Lighting fixture should be positioned so that prolonged direct looking into the luminaire from a distance of less than 2.5 m is not expected.*