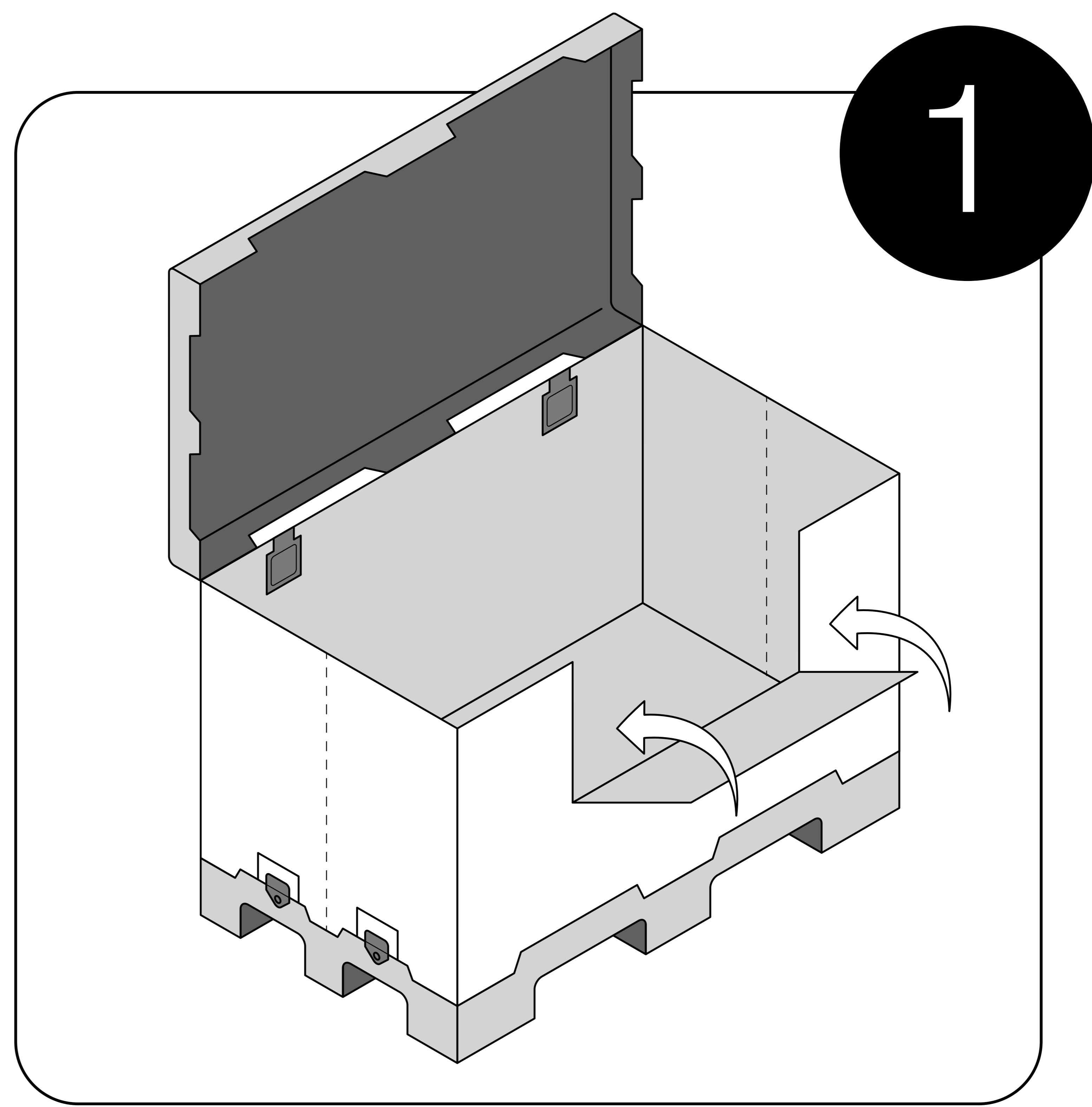
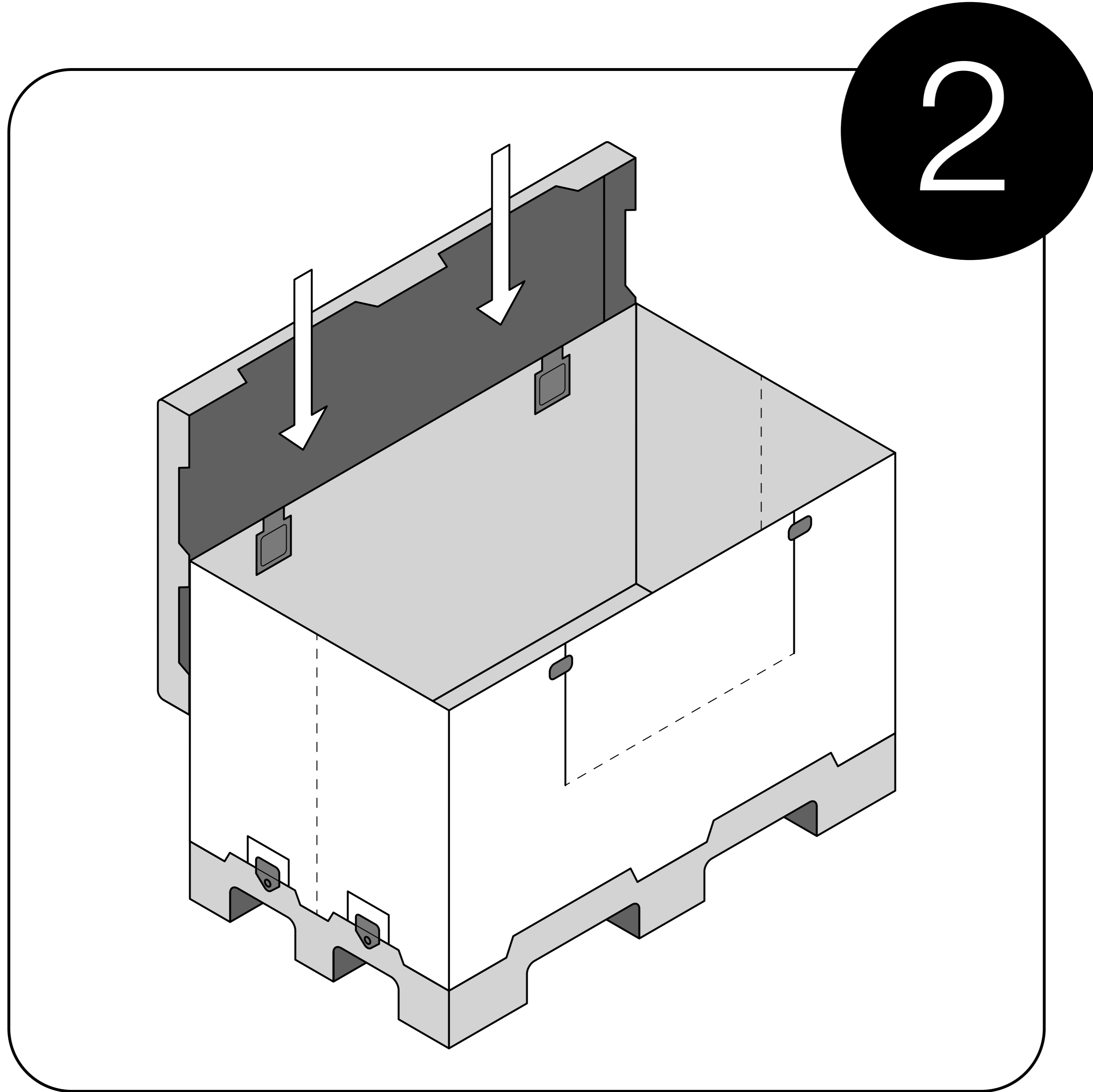


PLEASE DON'T THROW ME AWAY!

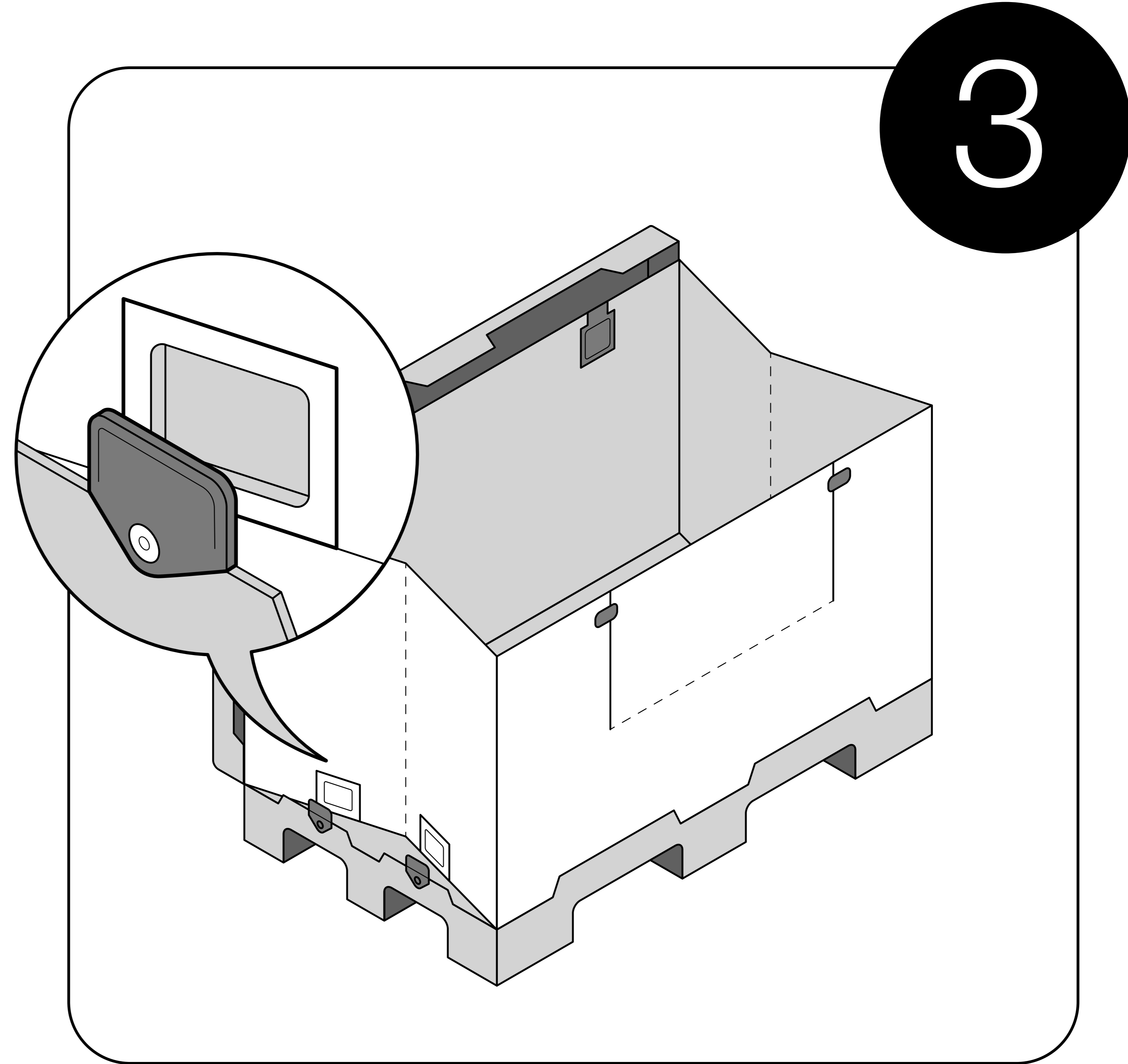
Follow these simple steps and I'll be returned and re-used.



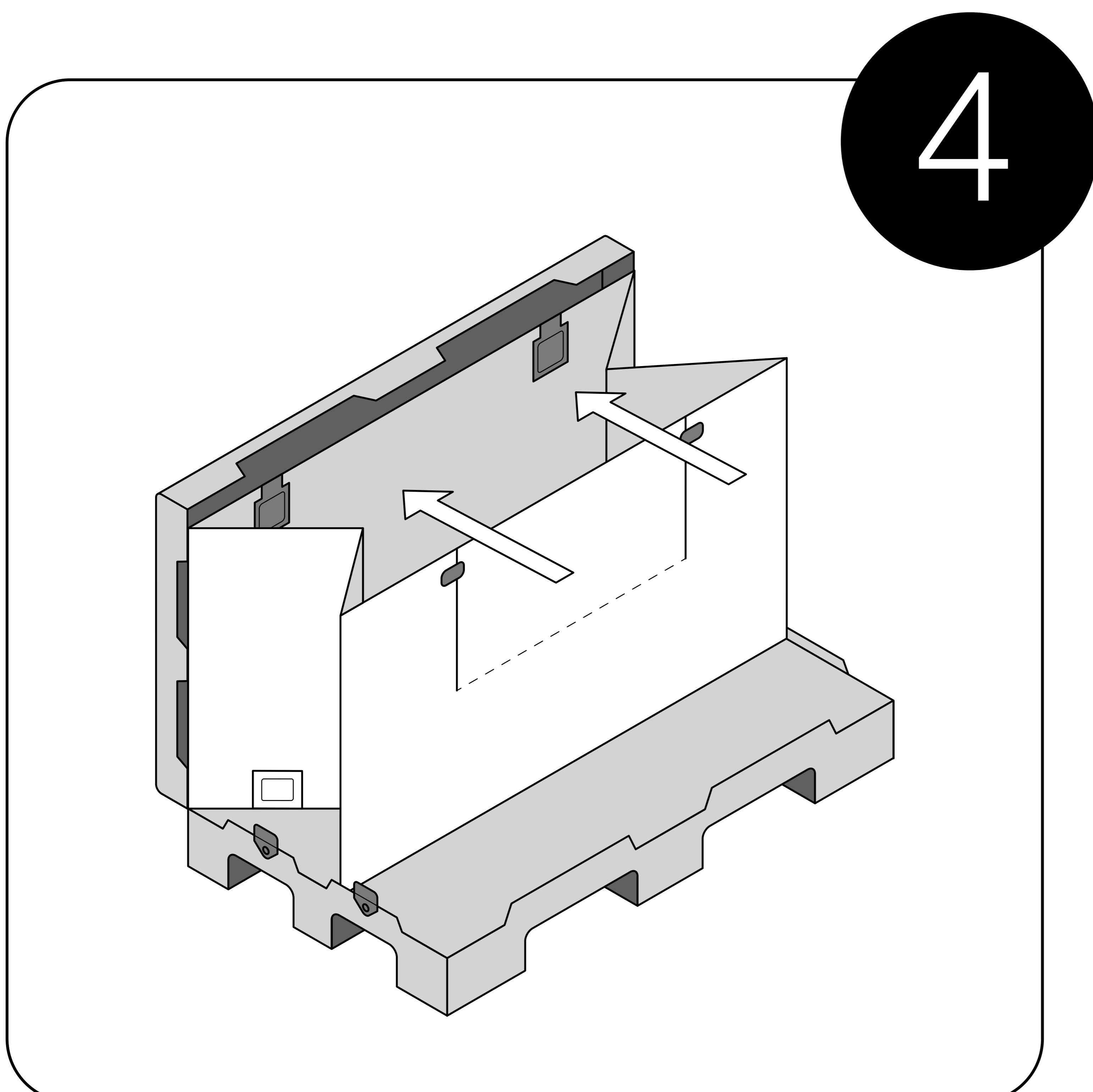
Make sure **the front flap** is closed and secure.



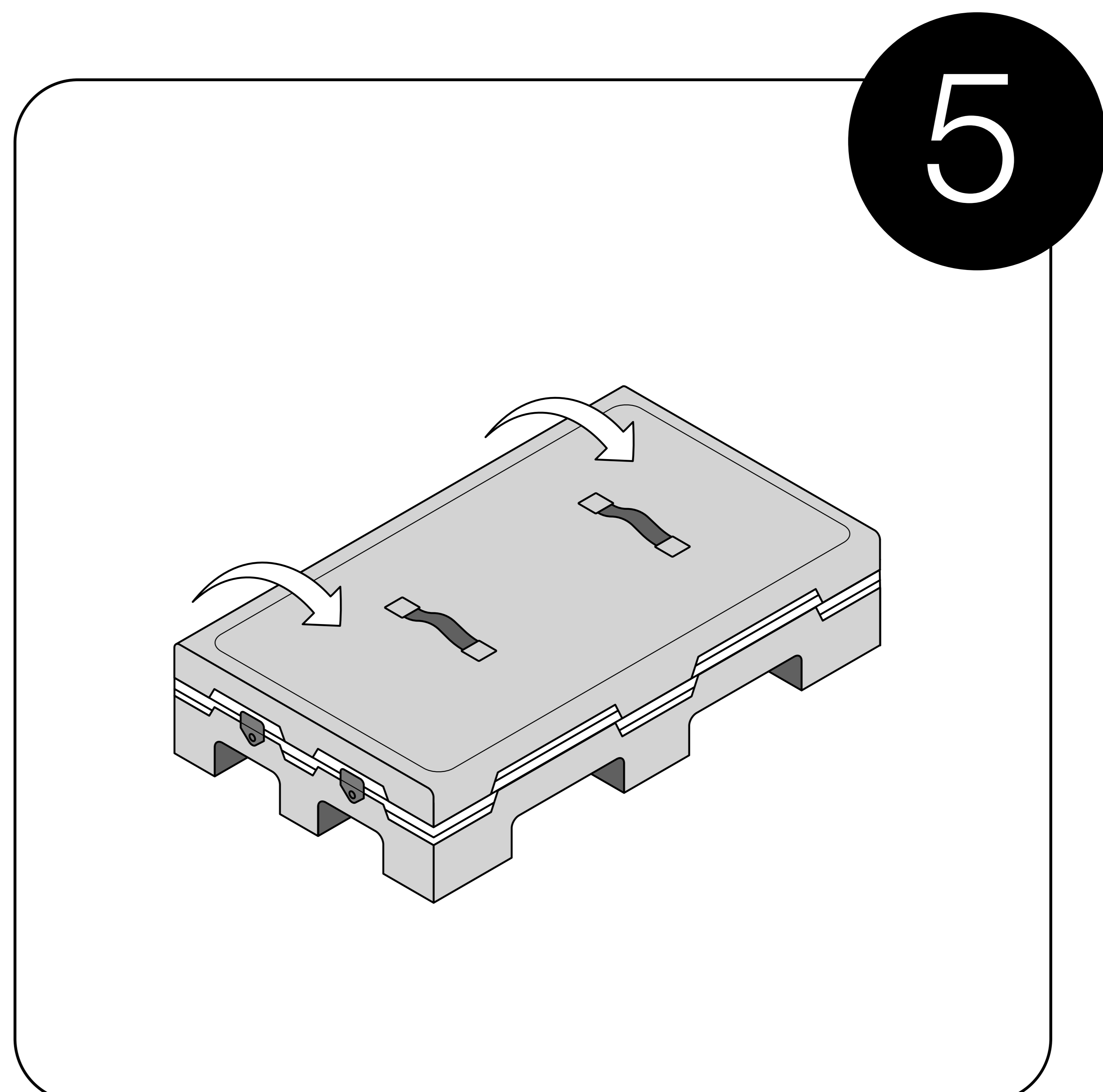
Fully open **the lid** and slide down the back of the crate.



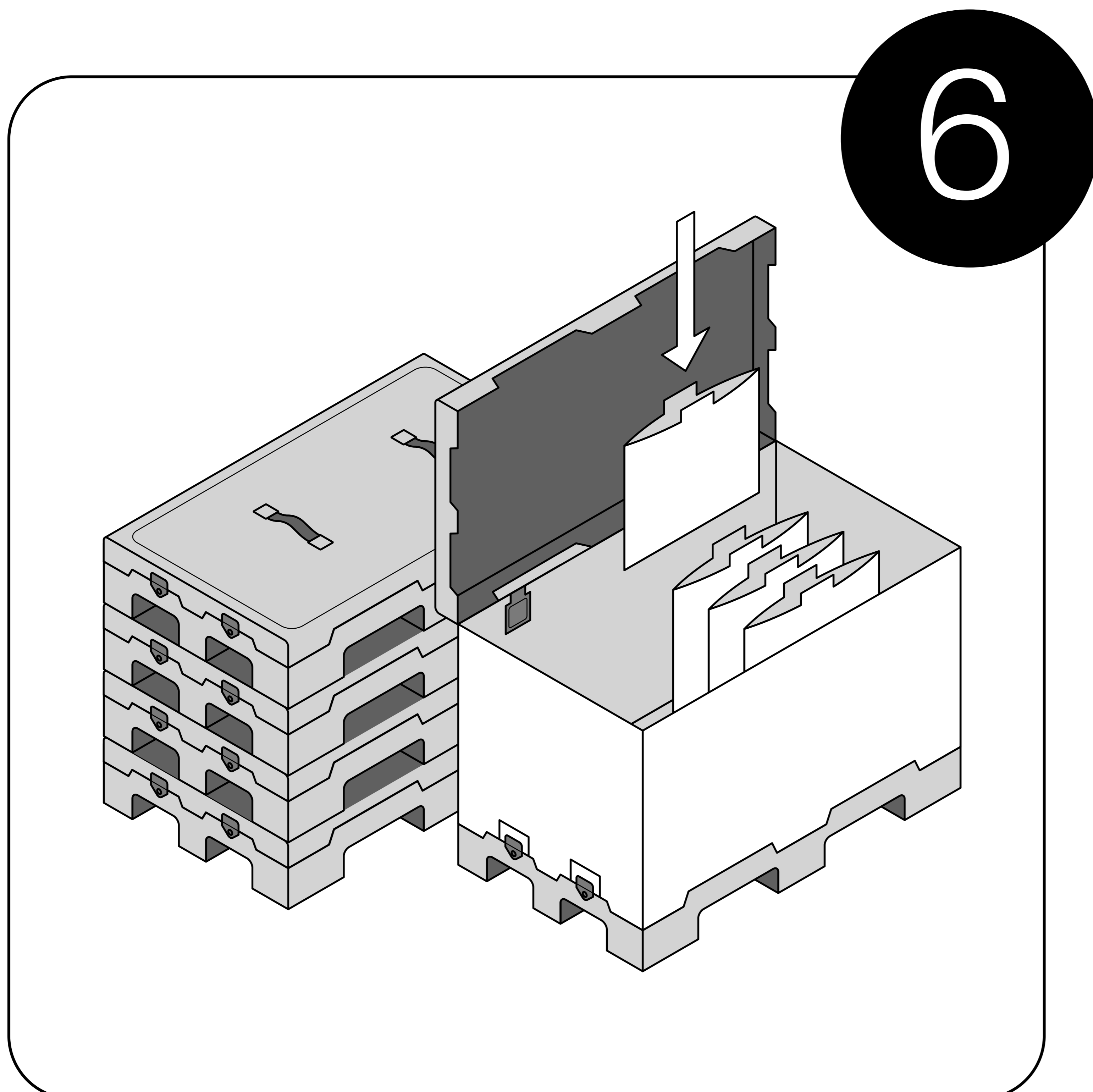
Lower and push **the side panels** to release base clips and fold inwards.



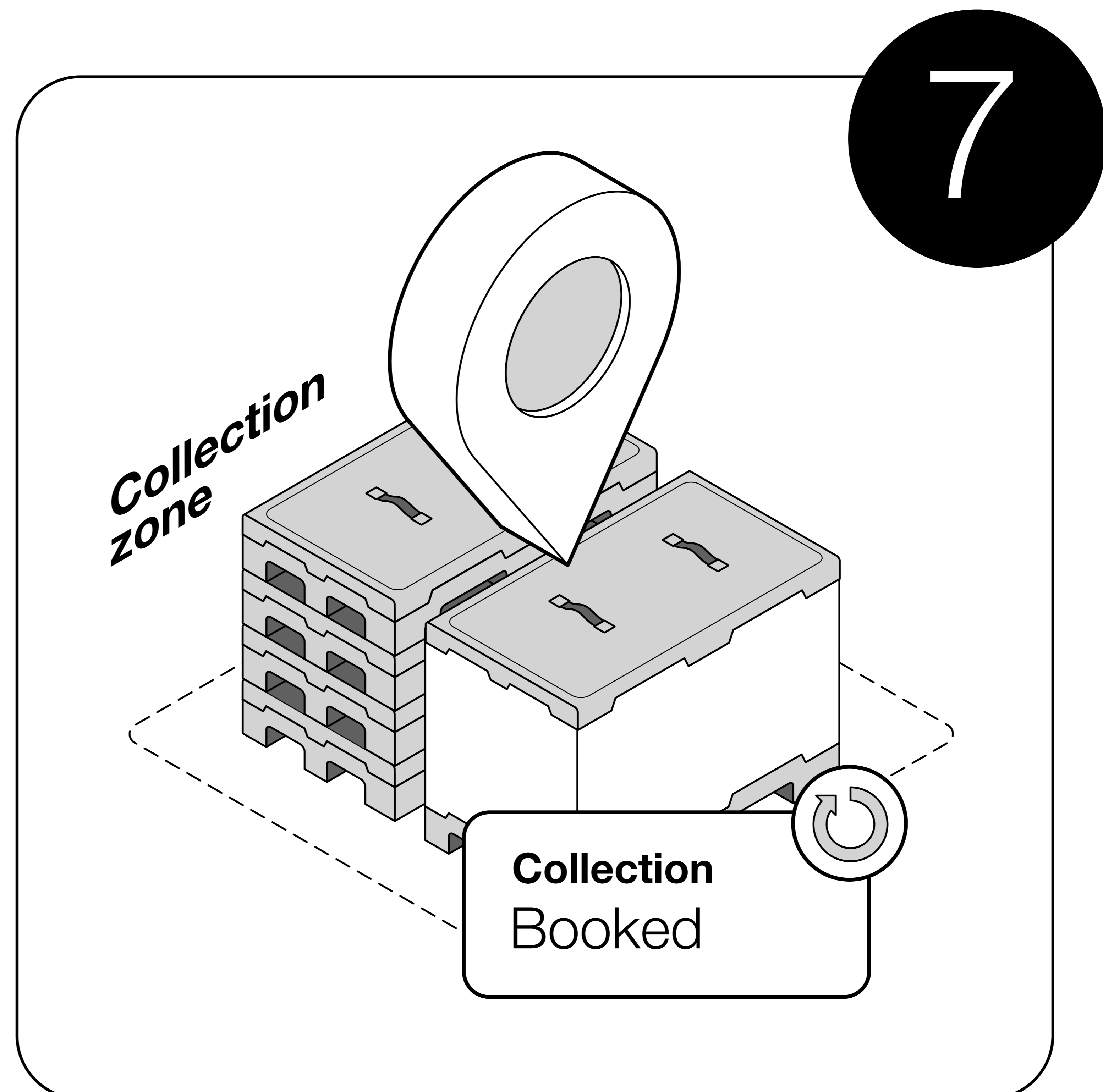
Collapse **the outer crate** backwards, seating it into the lid.



Close **the lid** (now containing the folded crate).



Keep one Geopak™ open and collect **the folded totes** inside.



Place in your designated **collection zone** to automatically trigger collection via the tracker.